



Clamp lining for SCF12 cable (usable in combination with RSB-78)

**FEATURES / BENEFITS**

The clamp lining has been designed to be used in combination with the RSB-Clip RSB-78. The use of the clamp lining in combination with RSB-Clip prevents SCF12-50 Jumper cables against damage e.g. due to cable movement by wind, therefore a deterioration of the electrical properties is avoided.



**Technical features**

**GENERAL SPECIFICATIONS**

Product Line		Coaxial Cable Accessories Hybrid Cable Accessories
Product Type		Clamp Lining
Transmission Line Type		SCF12
Cable Type		Superflexible Coaxial Foam Dielectric

**MECHANICAL SPECIFICATIONS**

Cable Size		1/2
Number of Cable / Waveguide Runs		1
Material		EPDM rubber

**ACCESSORIES**

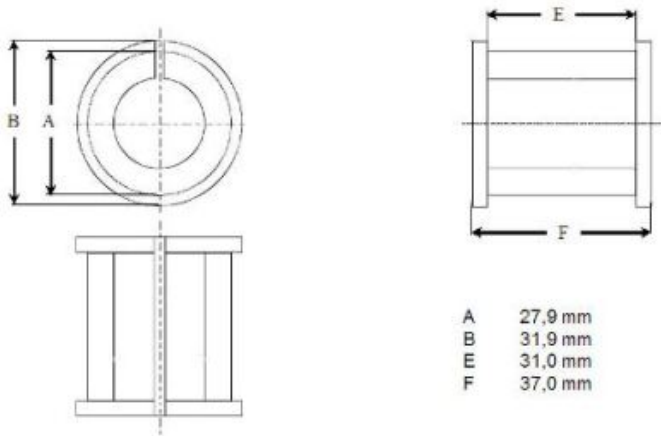
Spare Part / Useful Accessories		RSB-Cleat : RSB-78 Cleat : RSB-310 Anchor bar fixation : RSB-315
---------------------------------	--	--

**TEMPERATURE SPECIFICATIONS**

Operation Temperature	°C (°F)	-50 to 85 (-58 to 185 )
Storage Temperature	°C (°F)	-50 to 85 (-58 to 185 )

**PACKAGING INFORMATION**

Package Quantity		10
Weight per piece	kg (lb)	0.019 (0.041)
Weight per kit	kg (lb)	0.19 (0.41)



Technical Drawing

**External Document Links**

[Installation Instruction](#)

[Installation Instruction for Jumper with RSB-S12/78](#)

**Notes**

Only usable in combination with RSB-78