



606L

44-88MHz TV Panel Arrays

606L Series

The 606L series of panels are low wind load antennas engineered to provide customized coverage for any single TV channel in Band I.

The 606L (and 606LV) panel comprises two separate dipole and screen assemblies vertically spaced one-half wavelength apart.

Each assembly has one half-wave dipole mounted on a screen with a 7/8" EIA input and must be mounted in pairs. Both the dipole and screen are made from galvanized steel tube for maximum strength and minimum wind load.

The open construction of these panels permits easy inspection and maintenance after installation.

The 606L (and 606LV) antenna can be arranged in an array to provide the required coverage for a particular service area. Array design is carried out by RFS engineers to provide both directional and omnidirectional patterns as well as beam tilt and null fill tailored to the customer's specification.

Panels are fed through a power divider network, normally fully pressurized, and designed to meet the power handling requirements at the customer's specified site. Half panels rated at 5kW achieve high power ratings in an array.

To minimize shipping costs panels are supplied in "knock down" form with dipoles, screens, power dividers and interconnecting cables in separate packages. Full assembly details are provided.



606L

FEATURES / BENEFITS

- Low wind load
- Pressurizable to dipole feed points
- Feed system radomes available for snow and ice conditions
- Temperature range -40 to +60 degrees C available
- Supplied in kit form for compact transport
- Four sided array design
- Rugged galvanized steel construction
- Horizontal polarization - 606L
- Vertical polarization - 606LV
- Array design service available to tailor directional or omni-directional patterns, beam tilt and null fill to suit individual customer requirements. Contact RFS for details.

Technical features

STRUCTURE

Product Line		Antenna TV
Product Type		Band I (Low VHF) TV Panel Arrays 606L

ELECTRICAL SPECIFICATIONS

Frequency Range	MHz	44 - 88
Polarization		Horizontal
Nominal Gain (Mid-band)	dBd	7.5
Half Power Beamwidth Azimuth	degrees	64
Return Loss	dB	26 on Vision carrier, 23 across channel
Impedance (unbalanced)	Ω	50



606L

44-88MHz TV Panel Arrays

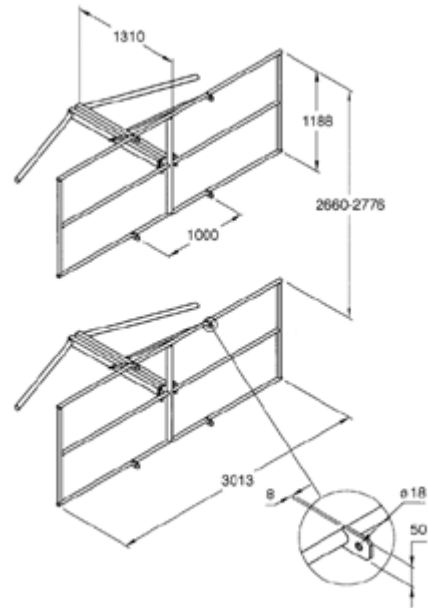
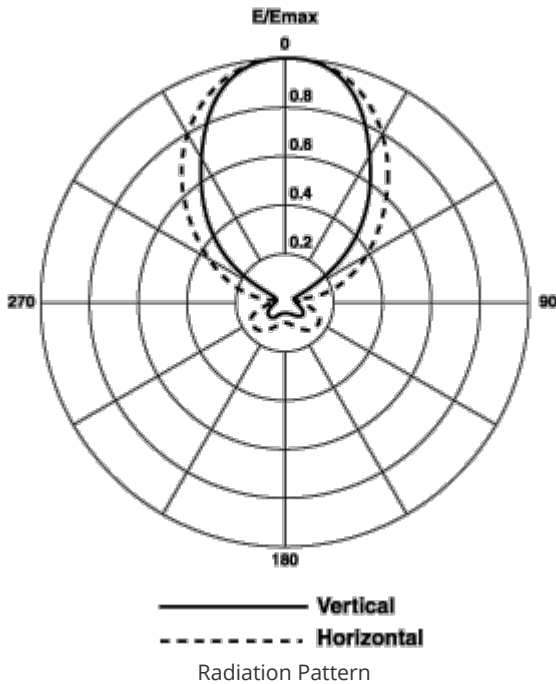
606L Series

MECHANICAL SPECIFICATIONS

Number of Channels		Single
Input Connector		2 x 7/8" EIA Flange / Panel
Mounting (Standard)	mm (in)	8 x 16mm (8 x 5/8") bolts
Recommended Spacing between Bays	cm (in)	273 (107)
Effective Area Front (full antenna) No Ice	m ² (ft ²)	1.38 (14.85)
Effective Area Side (full antenna) No Ice	m ² (ft ²)	0.78 (8.39)
Design Wind Speed	km/h (mph)	240 (150)
Pressurization Operational	kPa (psi)	10 - 25 (1.5 - 3.6)
Pressurization Test	kPa (psi)	100 (15)
Weight	kg (lb)	130 (287)

MATERIAL

Material - Insulators		PTFE
Material - Radiators		Hot Dipped Galvanised steel
Material - Reflecting Screen		Hot Dipped Galvanised steel



606L Dimensions

External Document Links

Notes

Note 1 Dimensions and weights are for Ch E3 (54 to 61 MHz). These figures will vary with the selected channel.