



APXL03S-CT3

Dual Polarized Antenna, 1710-2690, 65deg, 11dBi, 0.3m, FET, 3deg

This 2-port antenna is an excellent choice for 3G, PCS, GSM1800, LTE and Mobile TV networks where very small size is required in the 1710-2690MHz high band.

FEATURES / BENEFITS

- Fixed electrical downtilt, 3deg
- Ultra broadband design 1710-2690MHz
- Dual polarization
- Ultra compact design for low profile and low visual impact
- Quick and easy to install
- High front-to-back ratio



APXL03S-CT3_datasheet_image

Technical features

ELECTRICAL SPECIFICATIONS

Electrical Specification Header		ELECTRICAL SPECIFICATIONS		
Frequency Band	Mhz	1710-2150	2150-2450	2450-2690
Polarization	-	Slant +/- 45	Slant +/- 45	Slant +/- 45
Impedance	Ohms	50	50	50
Passive Intermodulation	dBc			
Maximum Effective Power per Port	Watts	250	250	250
Gain	dBi	10.6	11.3	11.5
VSWR	-	<1.5:1	<1.5:1	<1.5:1
Return Loss	dB	>14	>14	>14
Isolation between ports	dB	>28	>28	>28
Azimuth Beamwidth 3dB	Deg	67.2+/-3.3	61.5+/-3.9	62.1+/-4.9
Front-to-Back , at +/-30, Total Power	dB	>21.7	>22.8	>20.3
Elevation Beamwidth 3 dB	Deg	36.7+/-4.4	30.8+/-2.4	29.7+/-1
Electrical Downtilt	Deg	3	3	3
Elevation Downtilt Deviation	Deg	<2.93	<0.89	<1.27
First Upper Side Lobe Suppression	dB	>17.9	>14	>10

MECHANICAL SPECIFICATIONS

Dimensions - H x W x D	mm (in)	270 x 158 x 100 (10.63 x 6.22 x 3.94)
Weight (Antenna Only)	kg (lb)	1.9 (4.19)
Packing size- HxWxD	mm (in)	370 x 250 x 250 (14.57 x 9.85 x 9.85)
Shipping Weight	kg (lb)	2.6 (5.74)
Connector type		2 x 7-16 Long Neck Female bottom
Adjustment mechanism		FET solution
Radome Material / Color		UPVC / Light Grey RAL7035



APXL03S-CT3

Dual Polarized Antenna, 1710-2690, 65deg, 11dBi, 0.3m, FET, 3deg

TESTING AND ENVIRONMENTAL

Temperature Range	°C (°F)	-40 to 60 (-40 to 140)
Lightning protection		Direct Ground
Survival/Rated Wind Velocity	km/h	200 (160)
Wind Load @Rated Wind Front	N	36
Wind Load @Rated Wind Side	N	24
Wind Load @Rated Wind Rear	N	36

ORDERING INFORMATION

Order No.	Configuration	Mounting Hardware	Mounting pipe Diameter	Weight
APXL03S-CT3	Fixed tilt	Included	-	2.6 kg

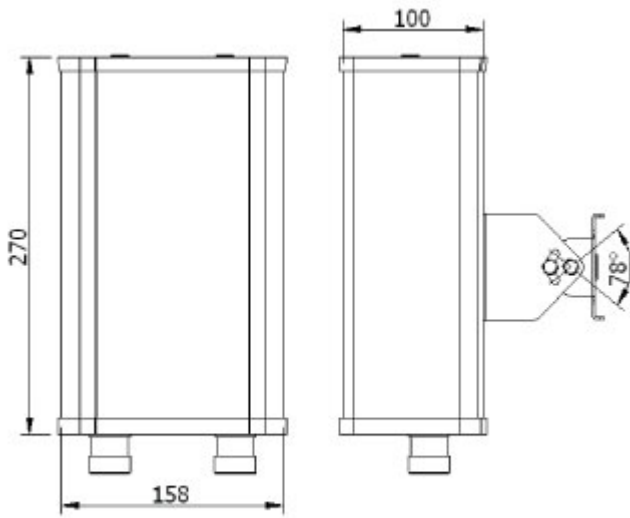


APXL03S-CT3_end_plate



APXL03S-CT3

Dual Polarized Antenna, 1710-2690, 65deg, 11dBi, 0.3m, FET, 3deg



APXL03S-CT3_drawing



Antenna_Array_APXL03S-CT3

External Document Links

Notes

Available Configurations

- APXL03S-CT3 - Fixed Tilt - weight 2.6Kg

(Weight refers to shipment weight.)

All electrical parameters are following NGMN 9.6 BASTA requirements

- Radiating patterns: [Request pattern files](#)