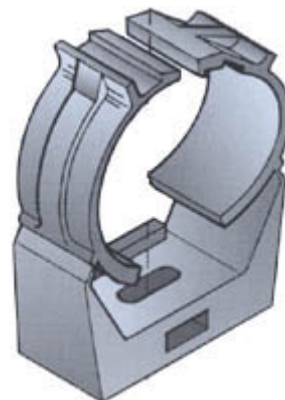




Clic Clamp, 1/2" ALF,RCF,RLK polyamide black, halogen free
fire class UL94HB

FEATURES / BENEFITS

Safe and efficient installation of RADIAFLEX® cable with clic-clamps. Simple mounting by using wall plugs and screws. Simply push in by hand, clamp will grip and lock by applying slight pressure.



clic_clamp_TI

Technical features

GENERAL SPECIFICATIONS

| | | |
|------------------------|--|---|
| Product Line | | Radiating Cable Accessories |
| Product Type | | Hanger |
| Hanger Type | | Clic clamp |
| Transmission Line Type | | ALFU RLK* RCF12-50*A HCA12-50 RHCA12-50 |
| Cable Type | | Air Dielectric Radiating Cable |
| Color | | Black |

MECHANICAL SPECIFICATIONS

| | | |
|----------------------------------|--|-----------|
| Cable Size | | 1/2 |
| Number of Cable / Waveguide Runs | | 1 |
| Material | | Polyamide |

TESTING AND ENVIRONMENTAL

| | | |
|------------|--|---------|
| Fire Class | | UL94 HB |
|------------|--|---------|

TEMPERATURE SPECIFICATIONS

| | | |
|--------------------------|---------|-------------------------|
| Installation Temperature | °C (°F) | -20 to 80 (-4 to 176) |
| Operation Temperature | °C (°F) | -50 to 85 (-58 to 185) |
| Storage Temperature | °C (°F) | -50 to 85 (-58 to 185) |

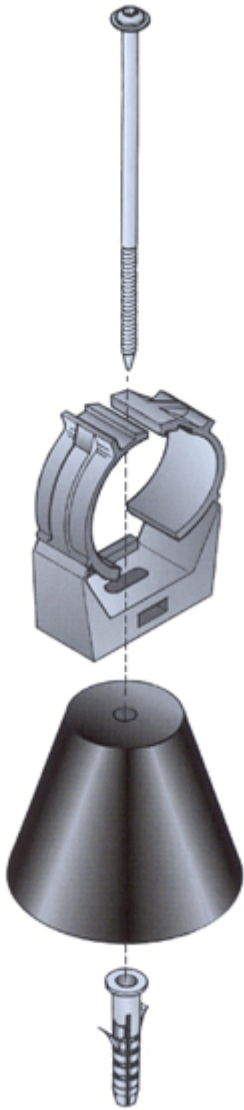
PACKAGING INFORMATION

| | | |
|------------------|--|-----|
| Package Quantity | | 500 |
|------------------|--|-----|



CC-12-2

Clic clamp for RADIAFLEX® 1/2" (for ALF, RCF RLK)



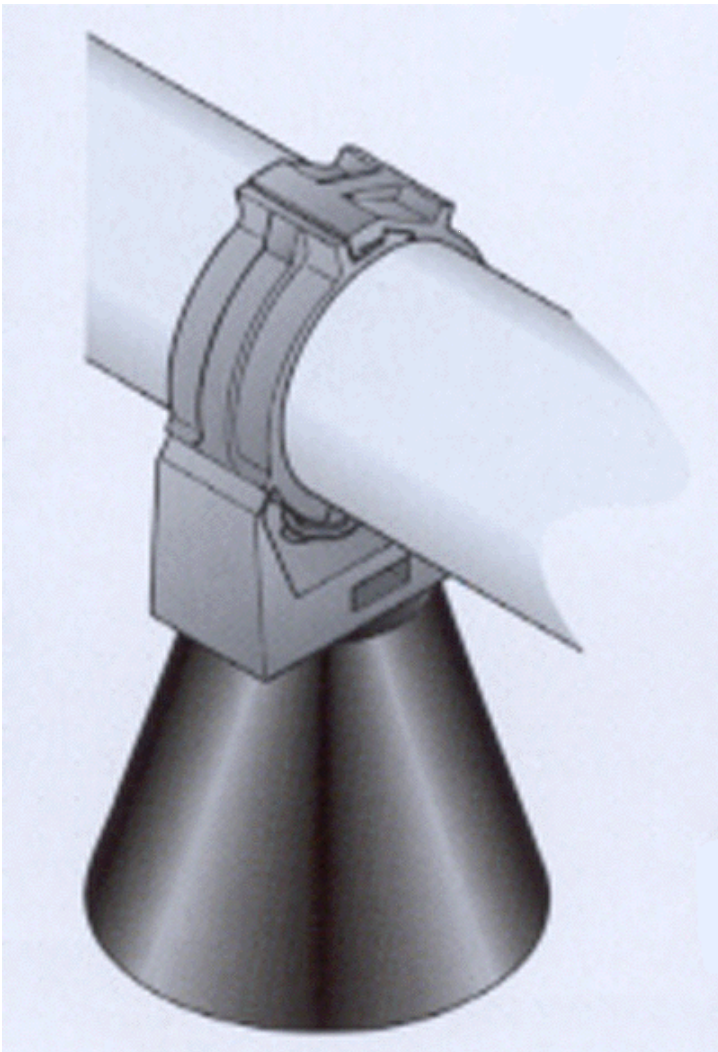
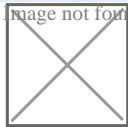


Image not found or type unknown



External Document Links

Notes

* valid for all cable versions