

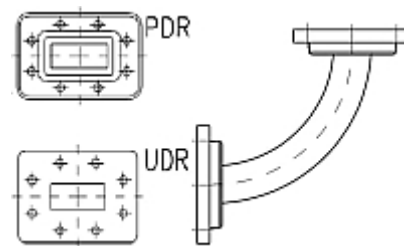


Rectangular Waveguide R 40 E-Bend 90 degree,  
 flanges PDR/UDR 40, f= 3.22-4.90 GHz,  
 VSWR max 1.06, A=153mm (6.0"),  
 gasket and screw kit enclosure  
 made of brass

**FEATURES / BENEFITS**

Waveguide installation

- The rectangular waveguide component provides simple installation in particular difficult cases
- It can be installed where less space is available
- It provides outstanding electrical performance



**Technical features**

**STRUCTURE**

Type of Rectangular Waveguide Component		Bend in E-Plane
Waveguide Size IEC (EIA)		R40 (WR229)
Flange A		PDR40
Flange B		UDR40
Flange Finish		Brass un-plated
Package Quantity		1

**ELECTRICAL SPECIFICATIONS**

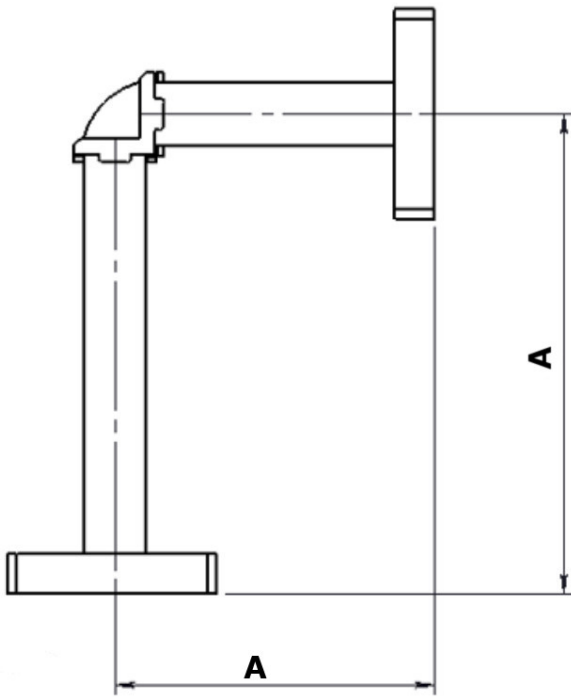
Minimum Return Loss (max. VSWR)	dB (VSWR)	30.7 (1.06)
---------------------------------	-----------	-------------

**MECHANICAL SPECIFICATIONS**

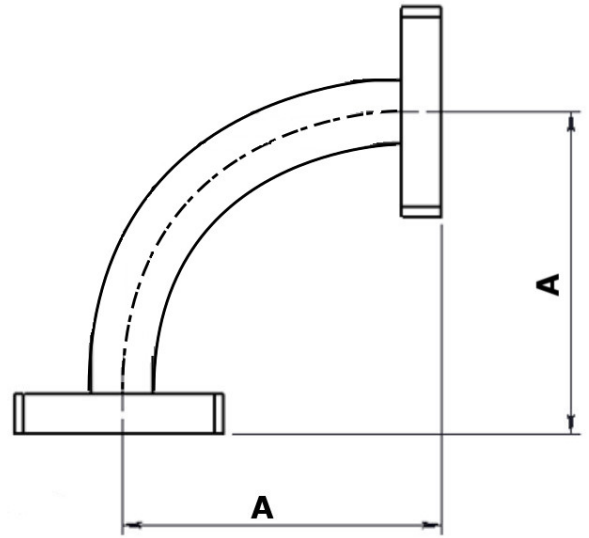
Bend/Twist		90 deg
Length	mm (in)	152 (6)

**MATERIAL**

Material		Brass
Color		Black



Design with casted bend



Design with accurate waveguide bend

External Document Links

Notes