



OMNI FIT™ high performance connectors are designed for use with both CELLFLEX® (copper) and CELLFLEX® Lite (aluminum) cables. They are designed specifically to provide the highest quality connector-cable interface while simplifying and speeding up connector attachment.

**FEATURES / BENEFITS**

- Cost effective two-piece design for safe and easy installation
- Compatible with copper and aluminium cable types i.e. one connector for both outer conductor materials eliminates the risk of faulty connector installation and helps to keep inventory down
- Robust mechanical design for low and consistent intermodulation performance i.e. keeps the mobile network performance up reduces the number of dropped calls and avoids revenue losses
- Superior electrical performance for consistent and repeatable VSWR i.e. ensure network system performance
- Waterproof to IP 68 i.e. no downtime risk, secures revenue
- RoHS (EU) and CRoHS (China) compliant i.e. can be used on a global basis



NF-LCF12-C03

**Technical features**

**GENERAL SPECIFICATIONS**

Transmission Line Type		Coaxial Cable		
Cable Size		1/2		
Cable Type		Foam Dielectric	Radiating	
Model Series		LCF12-50 Series	ICA12-50 Series	RCF12-50 Series
Connector Interface		N		
Connector Type		OMNI FIT™ Standard		
Sealing Method		O-ring		
Gender		Female		

**ELECTRICAL SPECIFICATIONS**

Nominal Impedance, ohms	Ohm	50		
3rd Order IM Product @ 2x20 Watts	dBc	-157 ; typical -160		
Maximum Frequency	GHz	6.0		
VSWR, Return Loss	VSWR (dB)	0 &lt; f ≤ 1.0 GHz: 1.03 (36.6) 1.0 &lt; f ≤ 2.7 GHz: 1.04 (34.1) 2.7 &lt; f ≤ 3.7 GHz: 1.08 (28.3) 3.7 &lt; f ≤ 5.0 GHz: 1.15 (23.1) 5.0 &lt; f ≤ 6.0 GHz: 1.25 (19.1)		

**MECHANICAL SPECIFICATIONS**

Plating Outer/Inner		Trimetal/Silver		
Length	mm (in)	55.3 (2.2)		
Outer Diameter	mm (in)	22 (0.87)		
Weight	kg (lb)	0.074 (0.163)		
Inner Contact Attachment		Spring Finger		
Outer Contact Attachment		Spring C-Ring		

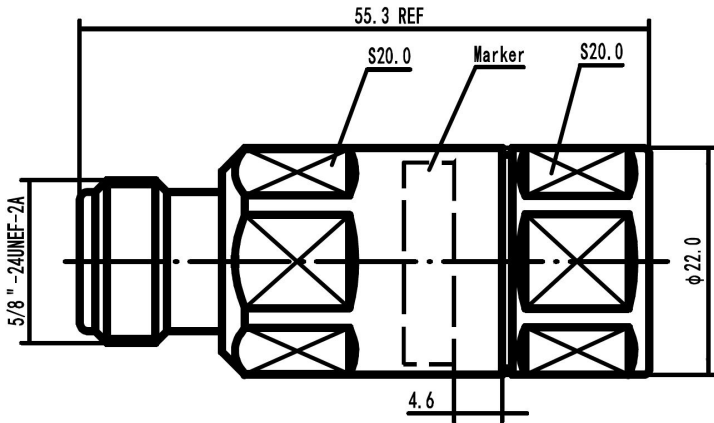


**ACCESSORIES**

Wrench size front	mm (in)	20 (13/16)
Wrench size rear	mm (in)	20 (13/16)
Trimming Tool		TRIM-SET-L12-C02

**TESTING AND ENVIRONMENTAL**

Waterproof Level		IP68
------------------	--	------



NF-LCF12-C03 Outline drawing

**External Document Links**

[Installation Instruction](#)

**Notes**