



Clic Clamp, 1-5/8" RADIAFLEX polyamide black, halogen free  
fire class UL94HB

**FEATURES / BENEFITS**

Safe and efficient installation of RADIAFLEX® cable with clic-clamps. Simple mounting by using wall plugs and screws. Simply push in by hand, clamp will grip and lock by applying slight pressure.



**Technical features**

**GENERAL SPECIFICATIONS**

Product Line		Radiating Cable Accessories
Product Type		Hanger
Hanger Type		SFS clamp
Transmission Line Type		RLF* RLK* RLV* RAY*158-50*A RCF158-50*A
Cable Type		Radiating Cable
Color		Black

**MECHANICAL SPECIFICATIONS**

Cable Size		1-5/8
Number of Cable / Waveguide Runs		1
Material		Polyamide

**TESTING AND ENVIRONMENTAL**

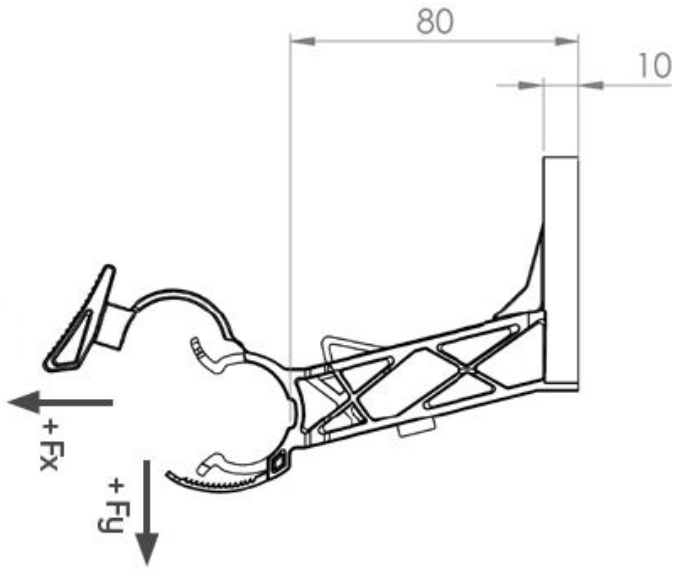
Fire Class		UL94 HB
------------	--	---------

**TEMPERATURE SPECIFICATIONS**

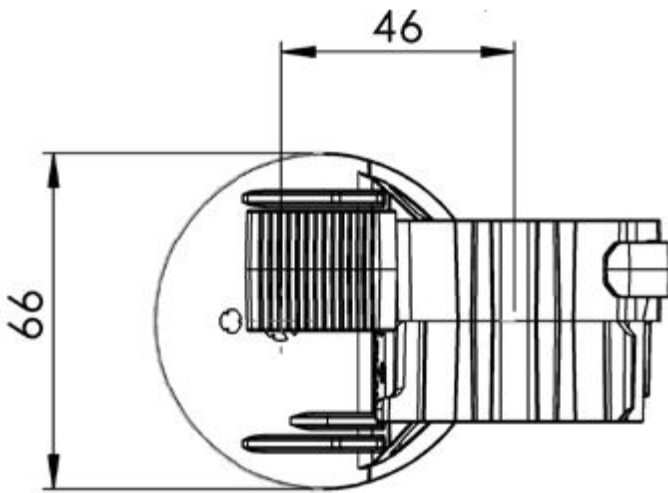
Installation Temperature	°C (°F)	-20 to 80 (-4 to 176 )
Operation Temperature	°C (°F)	-50 to 85 (-58 to 185 )
Storage Temperature	°C (°F)	-50 to 85 (-58 to 185 )

**PACKAGING INFORMATION**

Package Quantity		80
Weight per piece	kg (lb)	0.077 (0.17)



$F_x = 300 \text{ N}$  ;  $F_y = 300 \text{ N}$



[External Document Links](#)

[Notes](#)